

# ISUZU MT133

RIGHT HAND DRIVE, FRONT ENGINE BUS

Advanced Technology,  
Ultimate Comfort & Style!



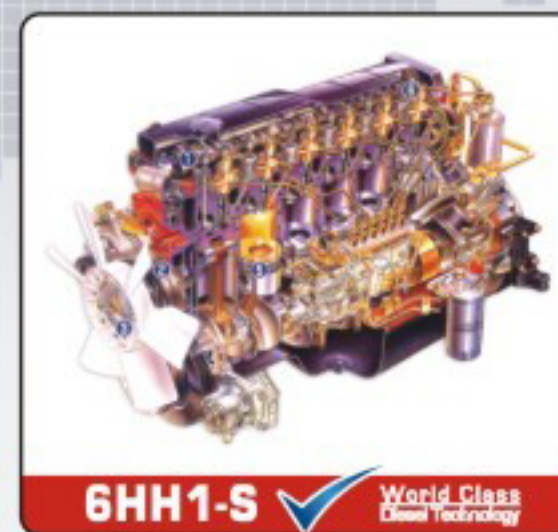
**GHANDHARA**  
INDUSTRIES LIMITED

DIMENSIONS & WEIGHTS (Chassis Only)			Long Wheel Base (4-Shaft)	Short Wheel Base (3-Shaft)
Wheel Base (WB)	mm		6050	5050
Overall Length (OAL)	mm		11300	10060
Overall Width (OW)	mm		2400	2400
Overall Height (OH)	mm		2000	2000
Tread (FT/RR)	mm		1930/1790	1930/1790
Overhang (FT/RR)	mm		1980/3270	1980/3030
Road Clearance (HH)	mm		260	260
Gross Vehicle Weight	Kg		14500	14000
PERFORMANCE				
Max. Speed	110 km / hr			
Gradeability	32%			
ENGINE				
Model	6HH1-S			
Type	6 Cylinder, 4 cycle, water cooled, inline, OHC direct injection diesel engine			
Displacement	8226 cc			
Max. Output	200 HP / 2850 rpm			
Max. Torque	51 kg-m / 1700 rpm			
Bore x Stroke (mm)	115 x 132			
Compression Ratio	18.5			
CLUTCH				
Type	Hydraulic Control with helper spring, dry single Plate with cushioning spring.			
Size	350 mm			
TRANSMISSION				
Type	MLD6Q, 6-Speed Over Drive			
Gear Ratios	1st 6.720, 2nd 4.244, 3rd 2.580, 4th 1.540, 5th 1.000, 6th 0.763, Rev 6.823			
Final Gear Ratio	6.143			
AXLE				
Front Axle	Reverse Elliot, I-beam			
Rear Axle	Banjo, fully floating			
SUSPENSION				
Front / Rear	Semi-elliptical alloy steel leaf spring shackle type, hydraulic double acting telescopic shock absorber & Stabilizer			
BRAKES				
Service Brake	Air Over Hydraulic dual circuit, front leading trailing, rear leading trailing			
Auxiliary Brake	Exhaust brake electro-pneumatic control			
Parking Brake	Mechanical internal expanded type at rear of transmission			
STEERING				
Type	Recirculating ball with integral power assisted.			
FRAME				
Type	Ladder type channel section			
Size (mm)	250 x 70 x 8			
FUEL TANK				
Capacity	200 Liters			
WHEEL & TYRES				
Tyre Size	10.00 X 20 - 16 PR (Standard)			
No. of Tyres	7 including one spare tyre			
ELECTRICAL SYSTEM				
Battery	2 x 12V - 115 AH			
Generator	24V / 40A			

Note: The specifications are subject to change without any notice.

# ISUZU MT133

RIGHT HAND DRIVE, FRONT ENGINE BUS



**6HH1-S** **World Class Diesel Technology**

Powerful Engine

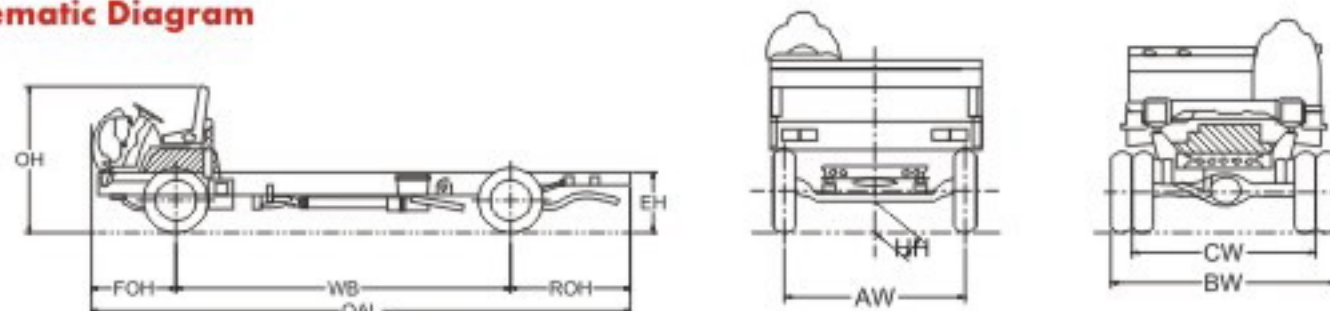
**TESTED & TRUSTED** • Proven Durability • Low maintenance • Fuel-Efficient • Reliable Support

## MT133 Bus Chassis



**SALES, SERVICE & SPARE PARTS**

## Schematic Diagram



### HEAD OFFICE

F-3, Hub Chauki Road, S.I.T.E., Karachi- 75730, Pakistan.  
Tel: 021-38709000 (30 Lines), 32560083-6, 32588708  
Fax: 021-32560090, 32564458  
Email: sales@gil.com.pk URL: www.gil.com.pk

### REGIONAL OFFICES

MULTAN Tel: 061-6513913 Fax: 061-6513913  
LAHORE Tel: 042-36302239 Fax: 042-36303987  
RAWALPINDI Tel: 051-5465898 Fax: 051-5468512

### AUTHORIZED '3S' DEALERS

Bahawalpur (Isuzu Southern Punjab Motors)	Tel: 062-2882693	Fax: 062-2882693
Multan (Isuzu Southern Punjab Motors)	Tel: 061-6778223	Fax: 061-6778224
Faisalabad (Isuzu Punjab Motors)	Tel: 041-8717491, 8548633-733	Fax: 041-8548033
Lahore (Isuzu Punjab Motors)	Tel: 042-37513571-4	Fax: 042-37513573
Lahore (Isuzu Ravi Motors)	Tel: 042-35299571-73	Fax: 042-35299585
Islamabad (Isuzu Federal Motors)	Tel: 051-2226970-72	Fax: 051-2226977
Quetta (Isuzu Balochistan Motors)	Tel: 081-2834517	Fax: 081-2834517