

ISUZU-NKA

4x2 Light Duty, 6 Wheeler Truck

A RELIABLE PARTNER
FOR ALL YOUR BUSINESS NEEDS

Available in 10 ft & 14 ft
Deck Length



FUEL EFFICIENT ENGINE



EXTRA PAYLOAD CAPACITY



EXTRA STRONG CHASSIS



GHANDHARA
INDUSTRIES LIMITED

DIMENSIONS			Short Wheel Base (SWB)	Long Wheel Base (LWB)
Wheel Base (WB)	mm	2450	3360	
Overall Length (OAL)	mm	4660	5670	
Overall Width (OW)	mm	1695	1695	
Overall Height (OH)	mm	2120	2120	
Tread (FT/RR)	mm	1400 / 1415	1400 / 1415	
Overhang (FT/RR)	mm	1050 / 1160	1050 / 1460	
Cabin to Rear End (CE)	mm	3080	4270	
Ground Clearance (HH)	mm	190	190	
Turning Radius	m	5.5	6.5	
WEIGHT & CAPACITIES				
Gross Vehicle Weight	Kg	5100	5300	
Chassis Weight	Kg	1750	1820	
Pay Load	Kg	3350	3480	
Fuel Tank	Litre	75	100	
ENGINE				
Model	4JB1			
Type	Diesel Engine, 4 Cylinder, OHV, Direct injection, water cooled			
Displacement	2771 cc			
Max. Output (ps) (kw) / rpm	(80 ps) (59 kw) / 3600 rpm			
Max. Torque (kgm) (N.m) / rpm	(17.8 kgm) (175 N.m) / 2000 rpm			
CLUTCH				
Type	Dry single plate with diaphragm spring, Hydraulic control			
Size	240 mm			
TRANSMISSION				
Type	Manual (5+1) with Synchronizers			
AXLE				
Front Axle	Type	Reverse Elliot, 'T' Beam		
Rear Axle	Type	Banjo fully floating type		
SUSPENSION				
Front & Rear	Semi-elliptical steel leaf spring, hydraulic double acting telescopic shock absorber			
BRAKES				
Service Brake	Type	Hydraulic, dual circuit front two leading & Rear two leading		
Parking Brake	Type	Mechanical expanded type at rear of transmission		
STEERING				
Type	Power Steering			
WHEEL & TYRES				
Tyre Size	6.50 X 16 - 14 PR			
No. of Tyres	7 including one spare tyre			
ELECTRICAL SYSTEM				
Battery	1 x 12V - 80 AH			
Generator	12V / 50A			
PAINT				
Type	Electro Deposit (E.D. Paint)			

*The specifications are subject to change without any notice.

ISUZU-NKA

4x2 Light Duty, 6 Wheeler Truck

The Isuzu N-Series is one of the world's most preferred light duty truck series, renowned for its durability, reliable performance and comprehensive service support.



Highly rigid frame



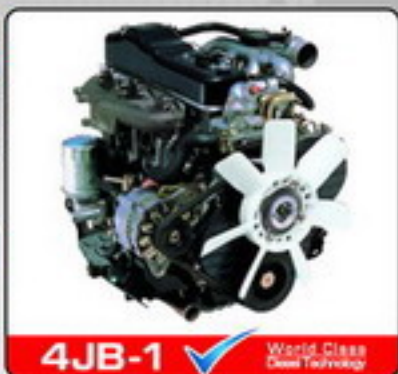
Electro Deposit (E.D. Paint)



3-point seat belt



All-round visibility



4JB-1

World Class Diesel Technology



90 degree wide door



Larger ingress/egress



Easy access gear

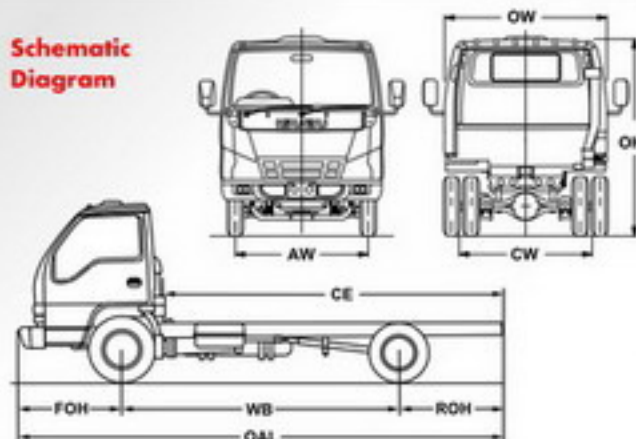


Power steering

Powerful Engine

TESTED & TRUSTED • Proven Durability • Low Maintenance • Fuel-Efficient • Reliable Support

Schematic Diagram



SALES, SERVICE & SPARE PARTS



Dumper



Ambulance



Ladder Truck



Tanker



Courier Truck



Refuse Truck



Goods Carrier



Troops Carrier



Refrigerated Van



HEAD OFFICE

F-3, Hub Chauki Road, S.I.T.E., Karachi- 75730, Pakistan.
Tel: 021-38709000 (30 Lines), 32560083-6, 32588708
Fax: 021-32560090, 32564458
Email: sales@gil.com.pk URL: www.gil.com.pk

REGIONAL OFFICES

MULTAN Tel: 051-4781646 Fax: 051-4781646
LAHORE Tel: 042-36302239 Fax: 042-36303987
RAWALPINDI Tel: 051-5465898 Fax: 051-5468512
PESHAWAR Tel: 091-5250081 Fax: 091-5272246

AUTHORIZED '3S' DEALERS

Karachi (Isuzu Abaseen Motors) Tel: 021-34166211 Fax: 021-34166212
Bahawalpur (Isuzu Southern Punjab Motors) Tel: 063-2882683 Fax: 063-2882683
Multan (Isuzu Southern Punjab Motors) Tel: 061-6778223 Fax: 061-6778224
Faisalabad (Isuzu Punjab Motors) Tel: 041-6717491, 8548633-733 Fax: 041-6548033
Lahore (Isuzu Punjab Motors) Tel: 042-37513571-4 Fax: 042-37513573
Lahore (Isuzu Ravi Motors) Tel: 042-35299571-73 Fax: 042-35299585
Islamabad (Isuzu Federal Motors) Tel: 051-2226870-72 Fax: 051-2226877